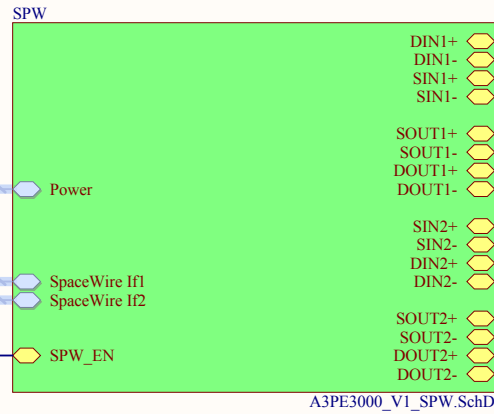
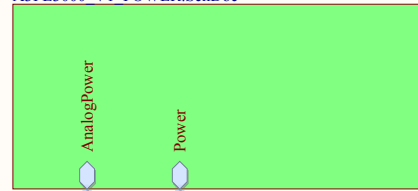
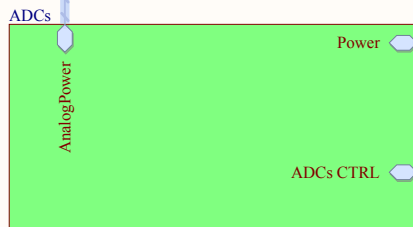
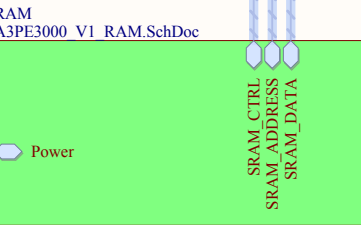
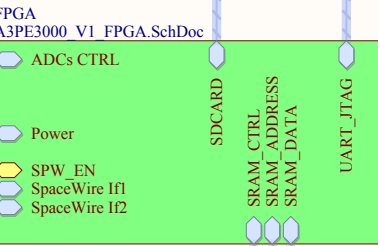
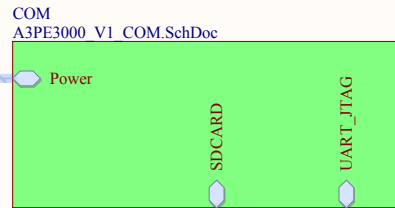
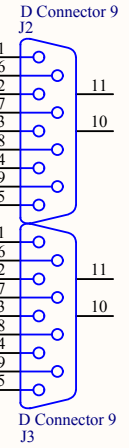


Designator  
A3PE3000\_V1\_POWER.SchDoc



A3PE3000\_V1\_SPW.SchDoc

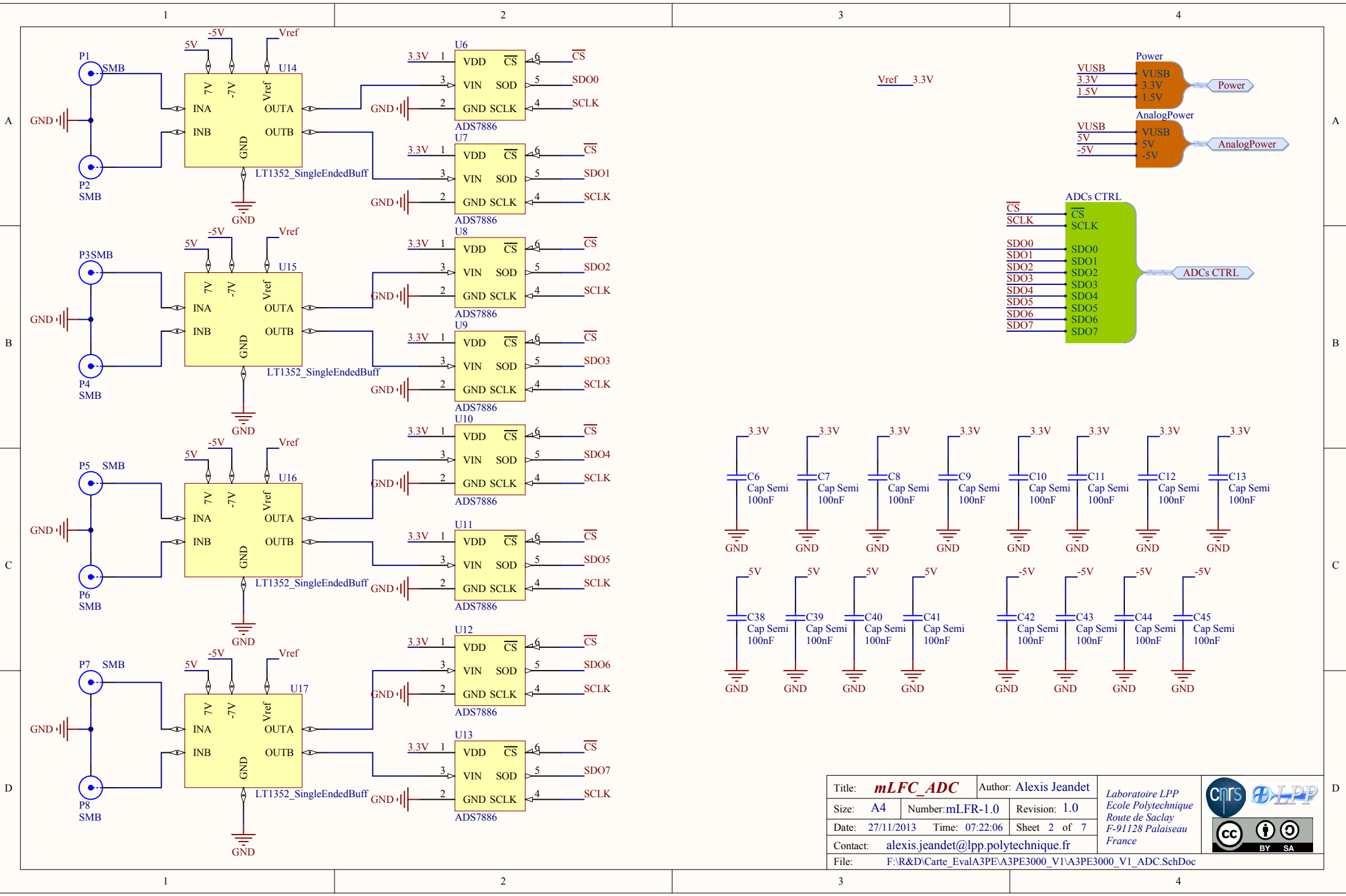


A3PE3000\_V1\_ADC.SchDoc

Title: <b>mLFR_TOP</b>		Author: Alexis jeandet	
Size: A4	Number: mLFR-1.0	Revision: 1.0	
Date: 27/11/2013	Time: 07:22:06	Sheet 1 of 7	
Contact: alexis.jeandet@lpp.polytechnique.fr			
File: F:\R&D\Carte_EvalA3PE\A3PE3000_V1\A3PE3000_V1_TOP.SchDoc			

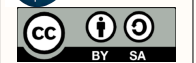
Laboratoire LPP  
Ecole Polytechnique  
Route de Saclay  
F-91128 Palaiseau  
France

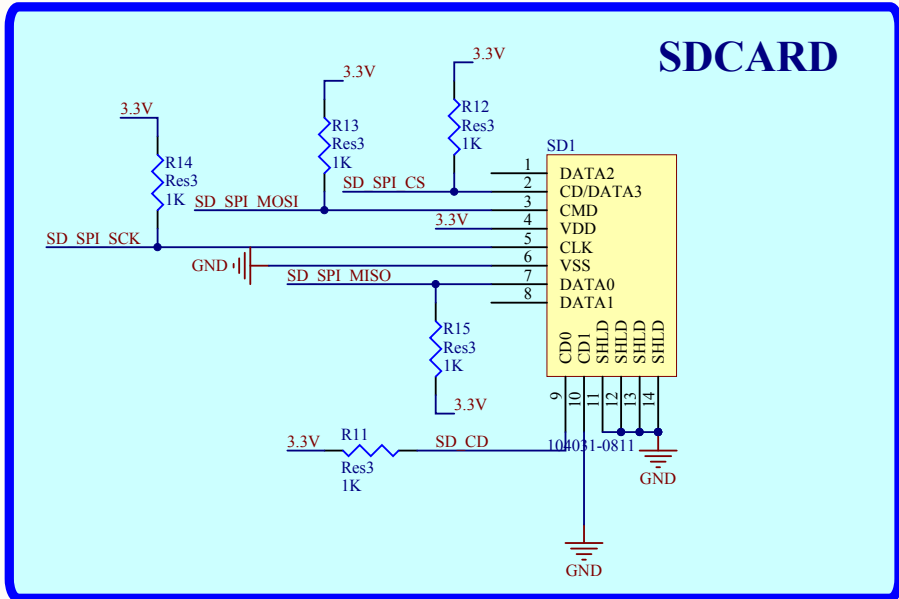
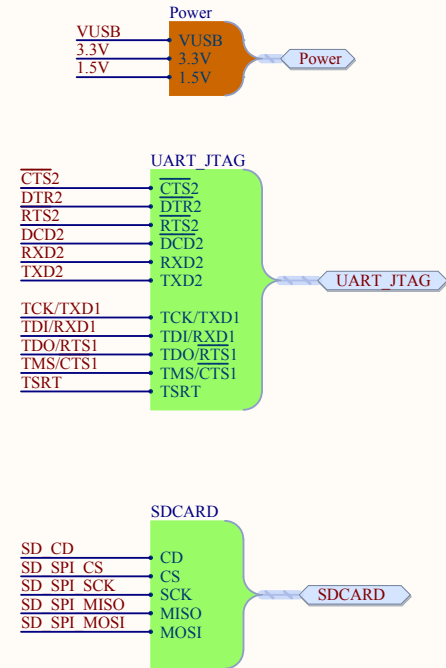
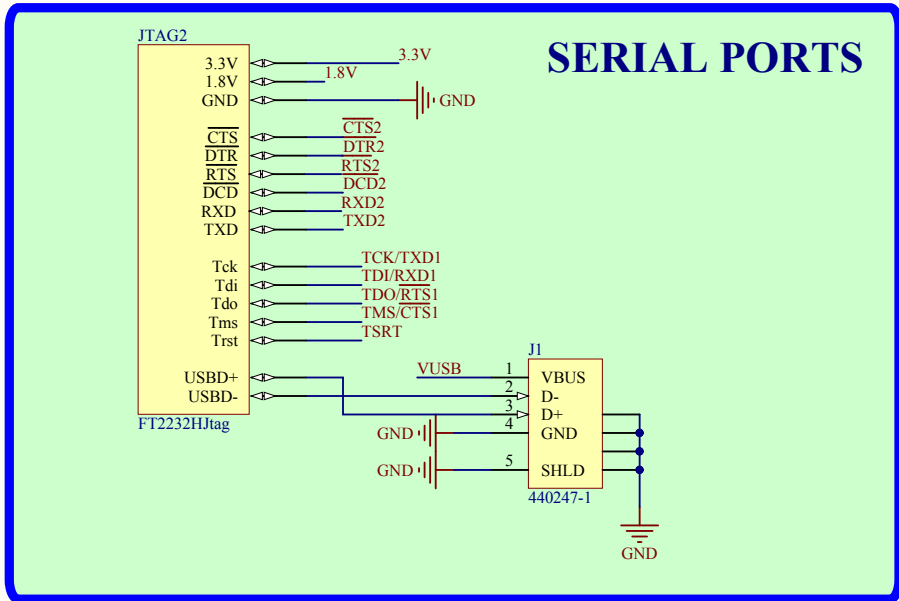




Title: <b>mLFC_ADC</b>		Author: Alexis Jeandet	
Size: A4	Number: mLFR-1.0	Revision: 1.0	
Date: 27/11/2013	Time: 07:22:06	Sheet 2 of 7	
Contact: alexis.jeandet@lpp.polytechnique.fr			
File: F:\R&D\Carte_EvalA3PE\A3PE3000_V1\A3PE3000_V1_ADC.SchDoc			


  
 Laboratoire LPP  
 Ecole Polytechnique  
 Route de Saclay  
 F-91128 Palaiseau  
 France

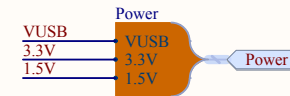
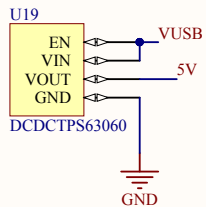
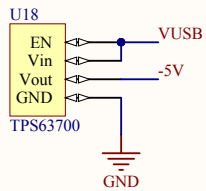
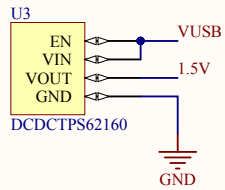
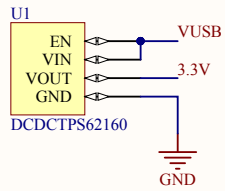




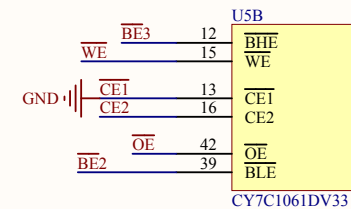
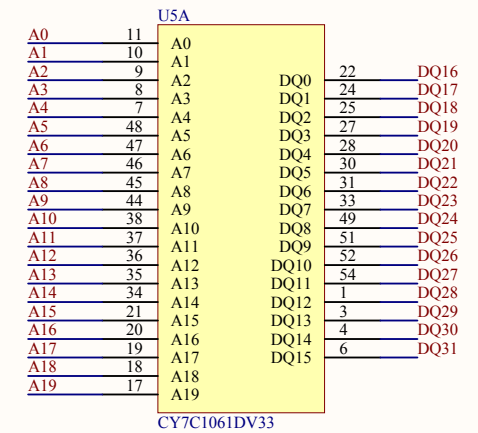
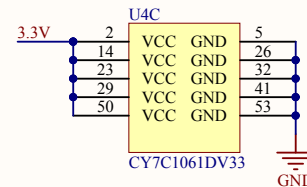
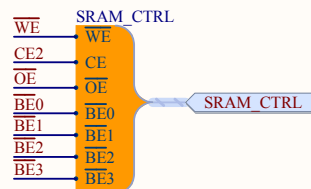
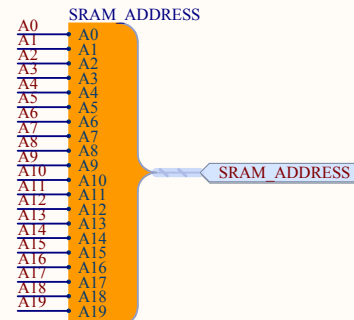
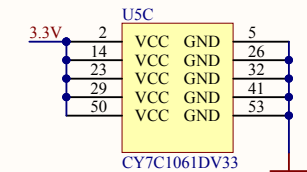
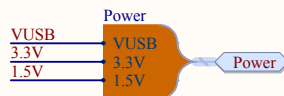
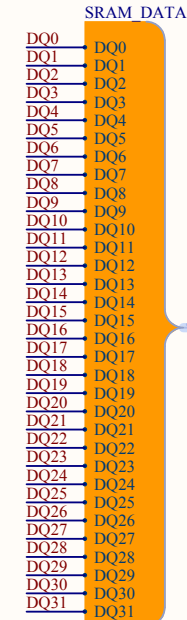
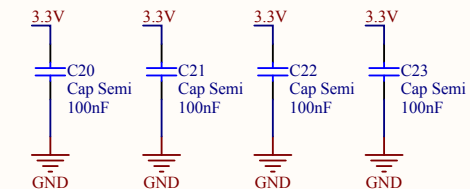
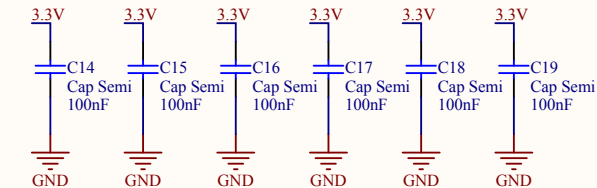
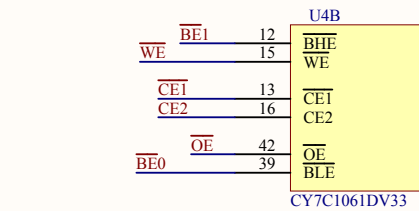
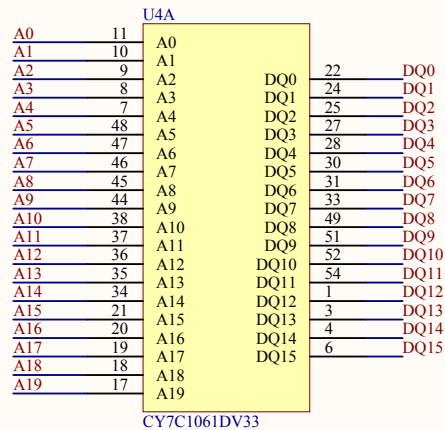
Title: <b>mLFR_COM</b>		Author: Alexis Jeandet	
Size: A4	Number: mLFR-1.0	Revision: 1.0	
Date: 27/11/2013	Time: 07:22:06	Sheet 3 of 7	
Contact: alexis.jeandet@lpp.polytechnique.fr			
File: F:\R&D\Carte_EvalA3PE\A3PE3000_V1\A3PE3000_V1_COM.SchDoc			

Laboratoire LPP  
 Ecole Polytechnique  
 Route de Saclay  
 F-91128 Palaiseau  
 France





Title: <b>mLFR_PSU</b>		Author: Alexis jeandet	
Size: A4	Number: mLFR-1.0	Revision: 1.0	
Date: 27/11/2013	Time: 07:22:06	Sheet 5 of 7	
Contact: alexis.jeandet@lpp.polytechnique.fr		Laboratoire LPP Ecole Polytechnique Route de Saclay F-91128 Palaiseau France	
File: F:\R&D\Carte_EvalA3PE\A3PE3000_V1\A3PE3000_V1_POWER.SchDoc			

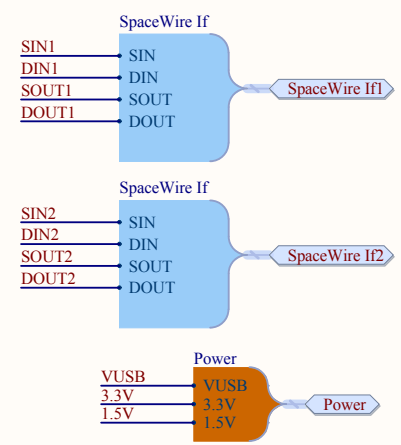
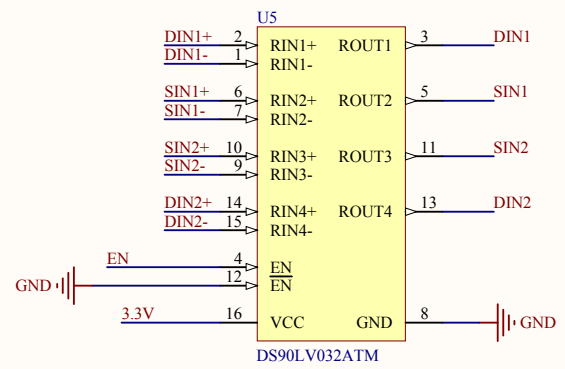
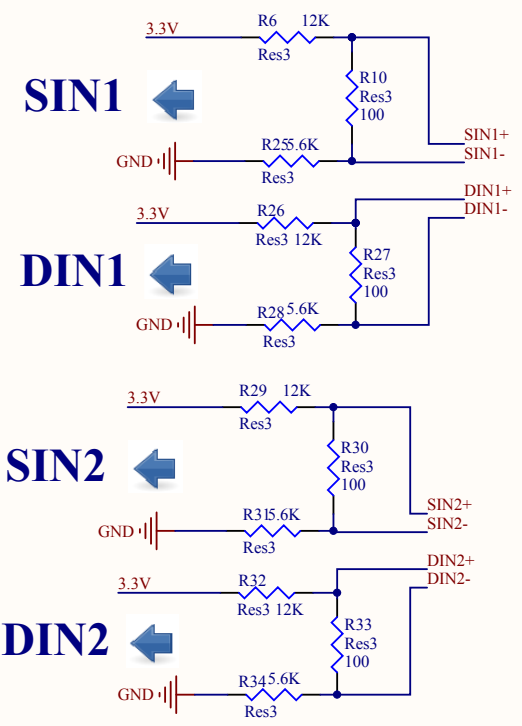
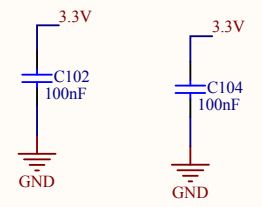
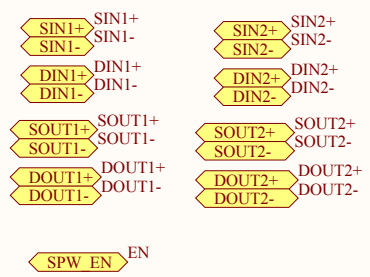
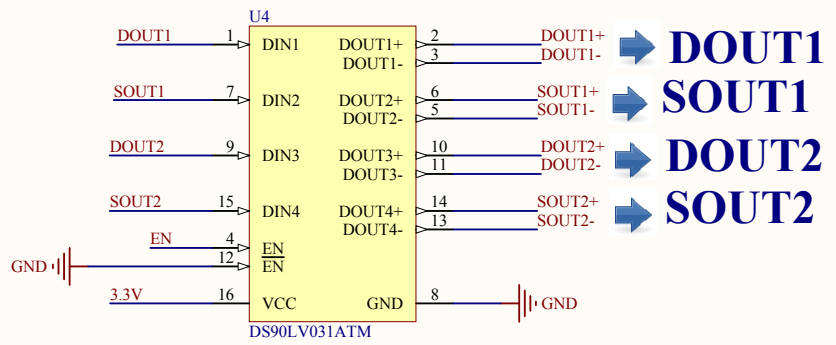


Title: <b>mLFR_SRAM</b>		Author: Alexis jeandet	
Size: A4	Number: mLFR-1.0	Revision: 1.0	
Date: 27/11/2013	Time: 07:22:07	Sheet 6 of 7	
Contact: alexis.jeandet@lpp.polytechnique.fr			
File: F:\R&D\Carte_EvalA3PE\A3PE3000_V1\A3PE3000_V1_RAM.SchDoc			

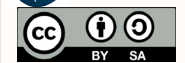
Laboratoire LPP  
Ecole Polytechnique  
Route de Saclay  
F-91128 Palaiseau  
France

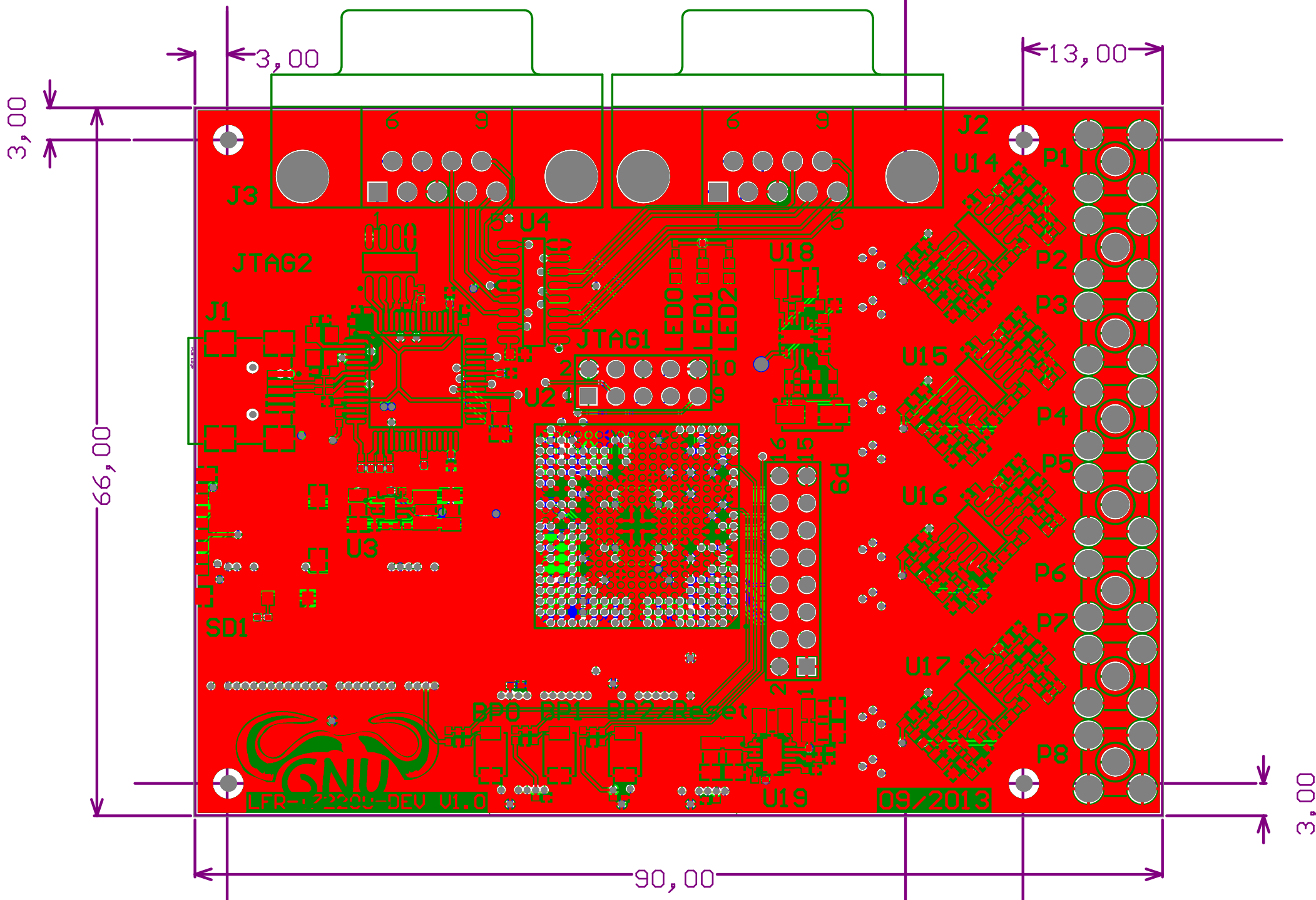
cnrs LPP

CC BY SA



Title: <b>mLFR_SPW</b>		Author: Alexis jeandet		Laboratoire LPP Ecole Polytechnique Route de Saclay F-91128 Palaiseau France	
Size: A4	Number: mLFR-1.0	Revision: 1.0			
Date: 27/11/2013	Time: 07:22:07	Sheet 7 of 7			
Contact: alexis.jeandet@lpp.polytechnique.fr					
File: F:\R&D\Carte_EvalA3PE\A3PE3000_V1\A3PE3000_V1_SPW.SchDoc					





**GNU**  
LFR-1.72209-DEU U1.0

09/2013

BP0 BP1 BP2/Reset