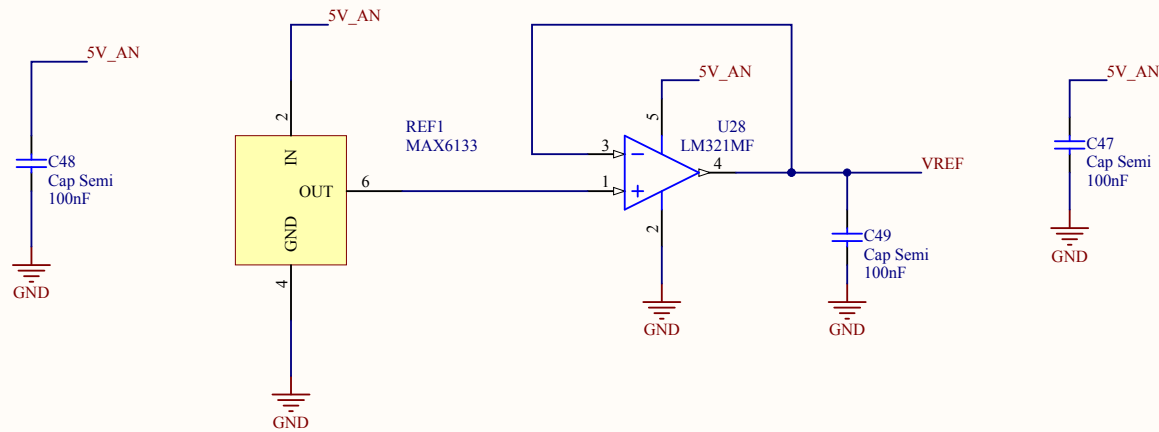
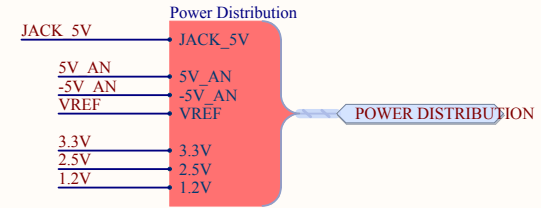




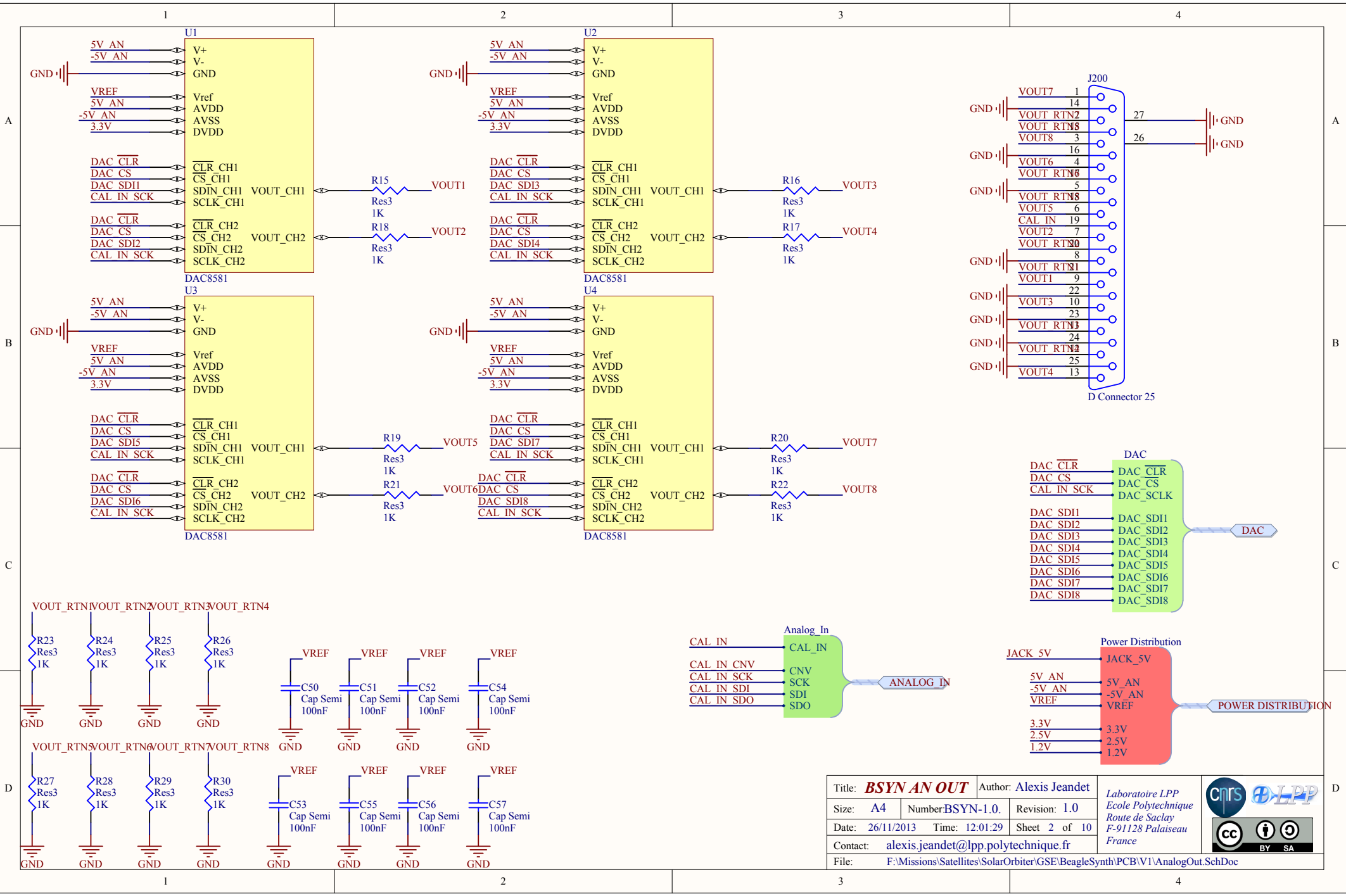
For 3.3V With TPS63060
R2=200Ohms
R1=1.1MOhms



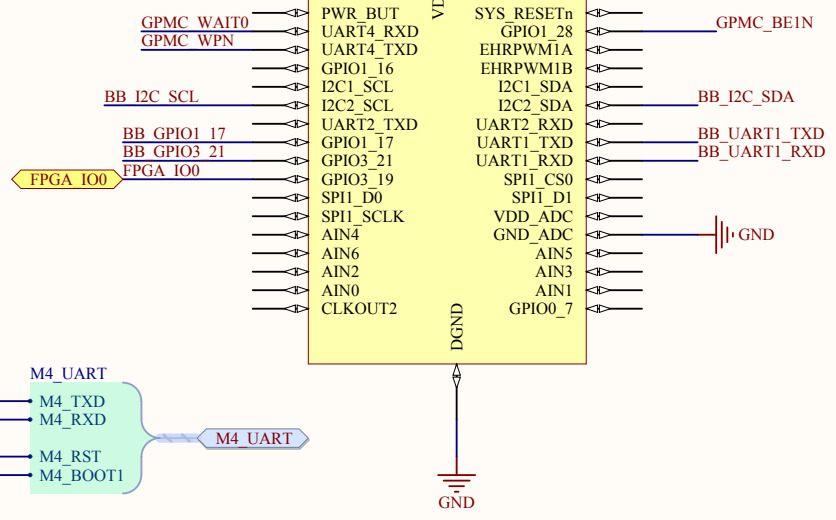
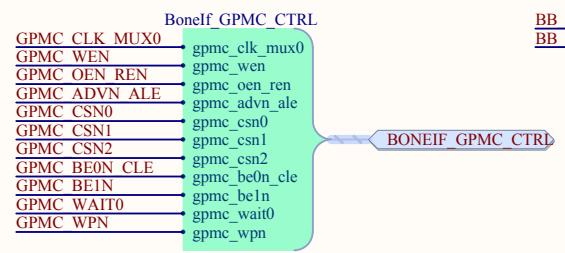
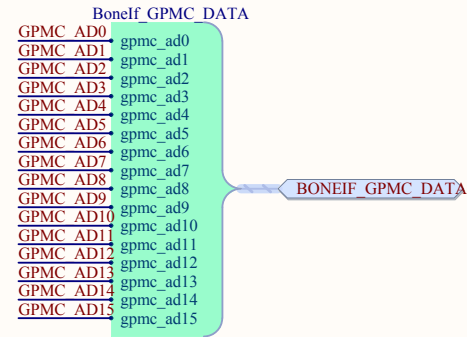
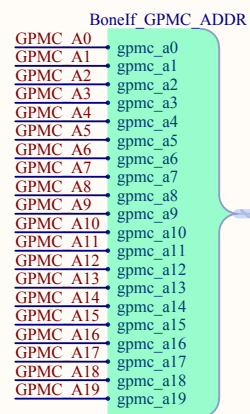
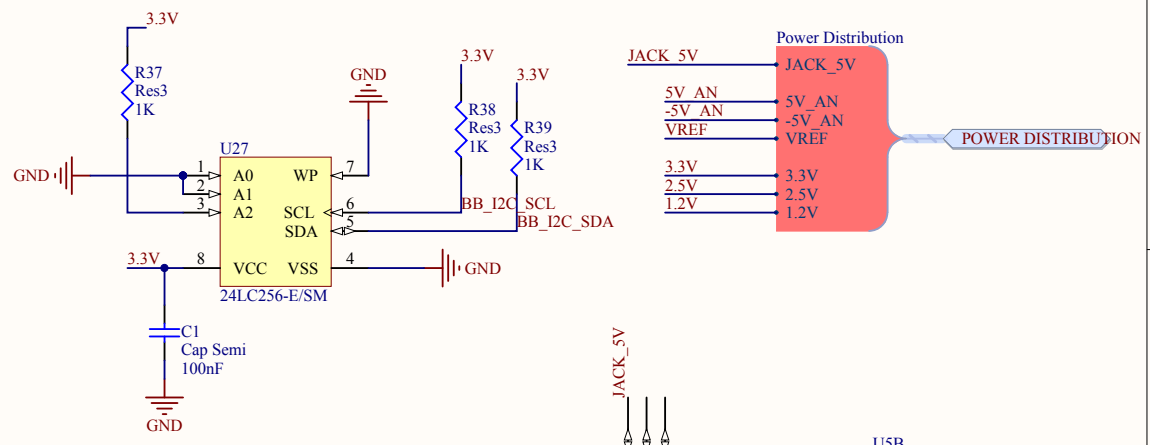
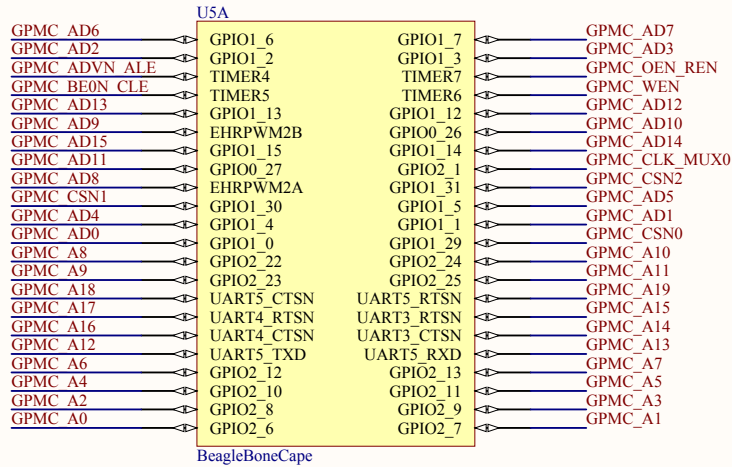
Title: BSYN PSU		Author: Alexis Jeandet	
Size: A4	Number:BSYN-1.0.	Revision: 1.0	
Date: 26/11/2013	Time: 12:01:29	Sheet 1 of 10	
Contact: alexis.jeandet@lpp.polytechnique.fr			
File: F:\Missions\Satellites\SolarOrbiter\GSE\BeagleSynth\PCB\VI\PSU.SchDoc			

Laboratoire LPP
Ecole Polytechnique
Route de Saclay
F-91128 Palaiseau
France



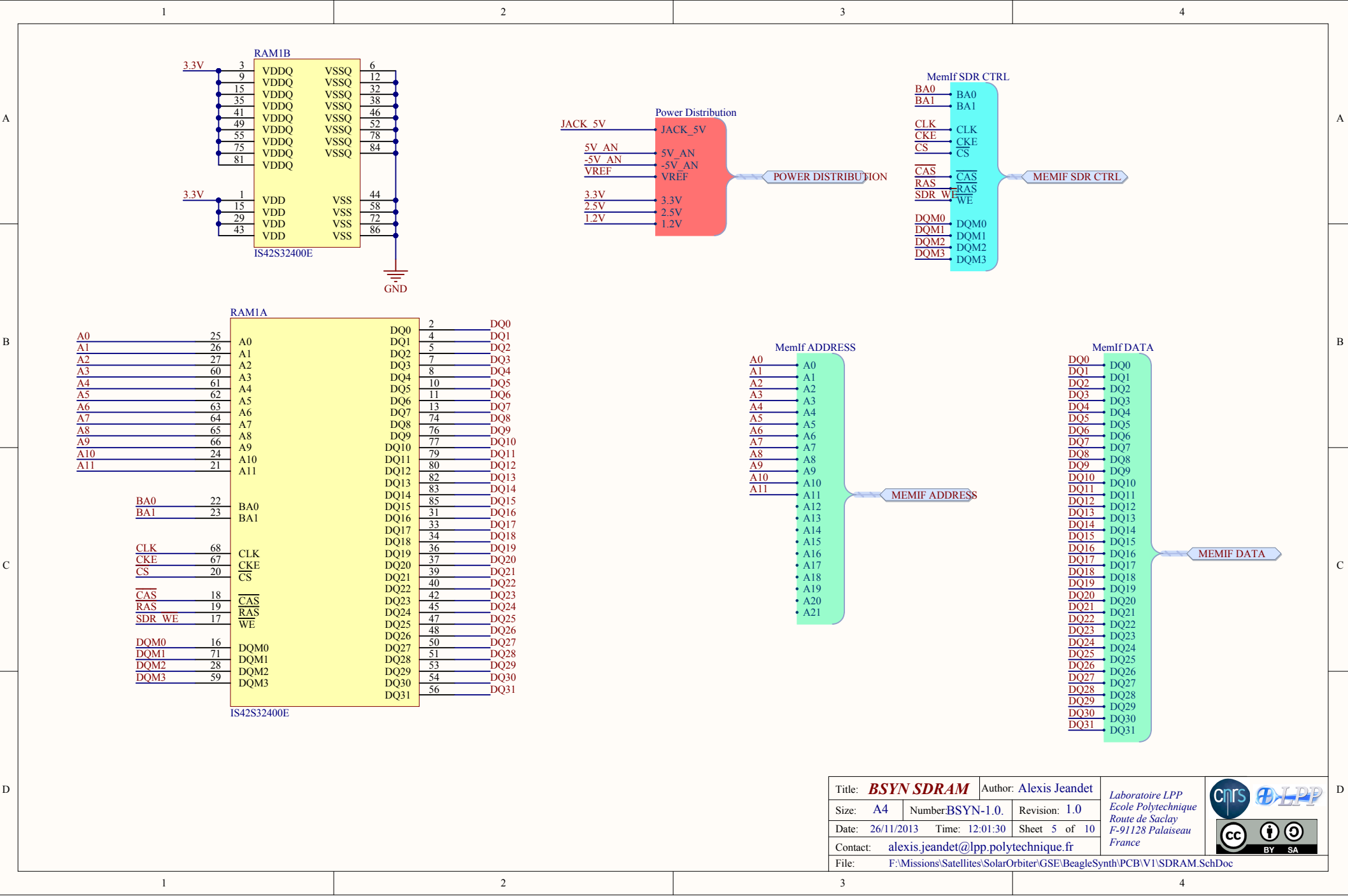
Title: BSYN AN OUT		Author: Alexis Jeandet		Laboratoire LPP Ecole Polytechnique Route de Saclay F-91128 Palaiseau France	
Size: A4	Number: BSYN-1.0.	Revision: 1.0			
Date: 26/11/2013	Time: 12:01:29	Sheet 2 of 10			
Contact: alexis.jeandet@lpp.polytechnique.fr	File: F:\Missions\Satellites\SolarOrbiter\GSE\BeagleSynth\PCB\VI\AnalogOut.SchDoc				

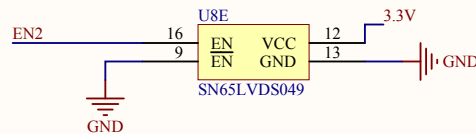
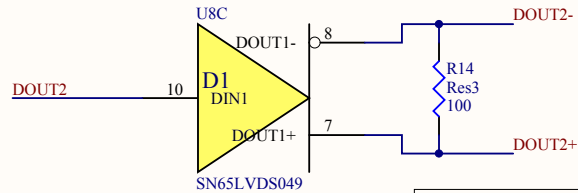
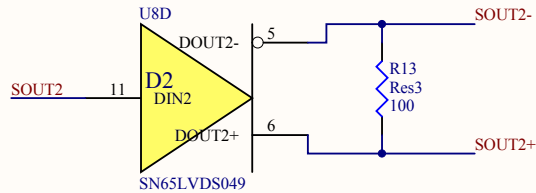
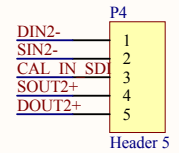
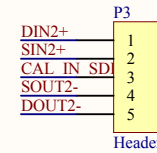
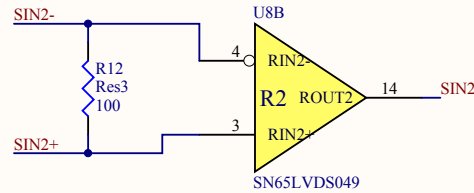
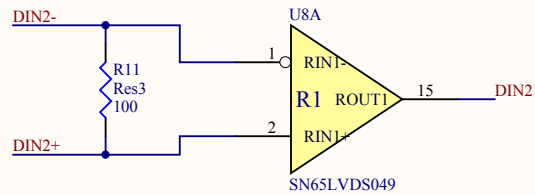
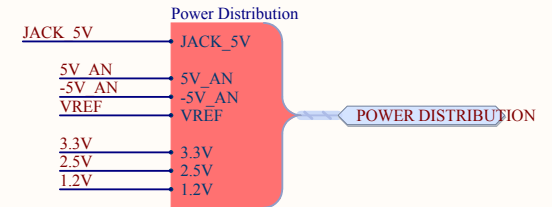
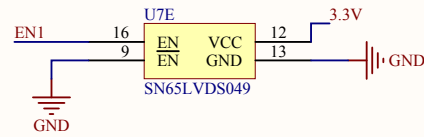
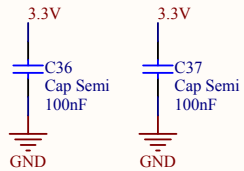
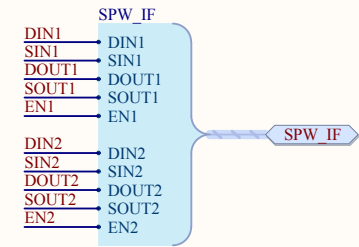
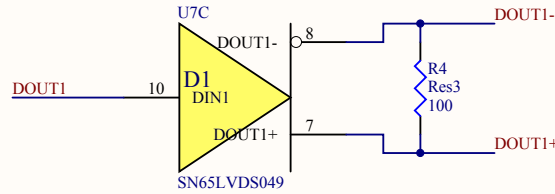
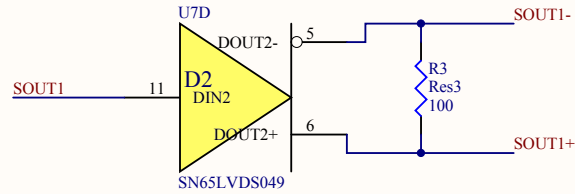
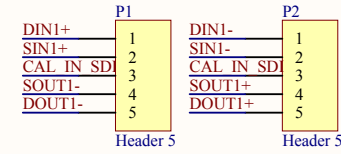
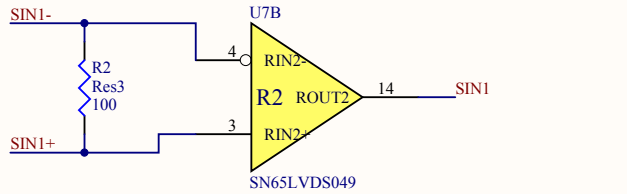
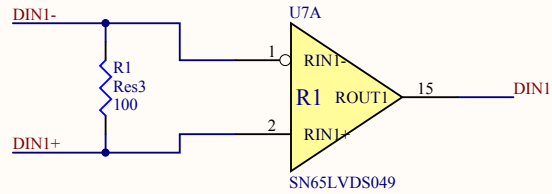


Title: BSYN BONE IF		Author: Alexis Jeandet	
Size: A4	Number:BSYN-1.0.	Revision: 1.0	
Date: 26/11/2013	Time: 12:01:30	Sheet 4 of 10	
Contact: alexis.jeandet@lpp.polytechnique.fr			
File: F:\Missions\Satellites\SolarOrbiter\GSE\BeagleSynth\PCB\VI\BoneInterface.SchDoc			

Laboratoire LPP
Ecole Polytechnique
Route de Saclay
F-91128 Palaiseau
France

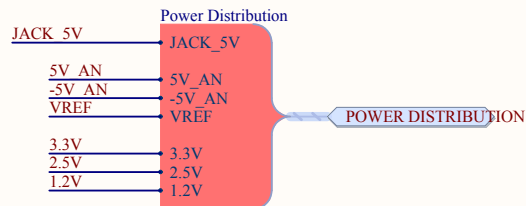
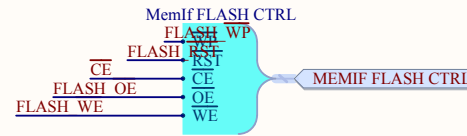
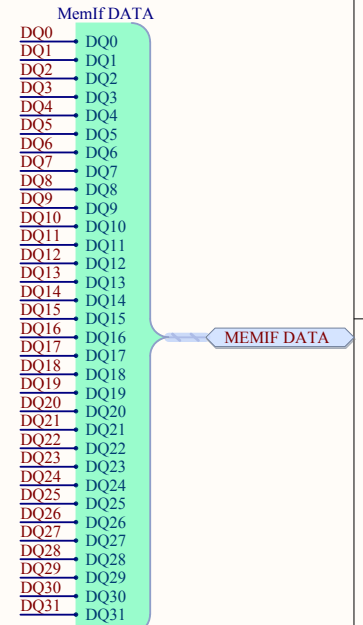
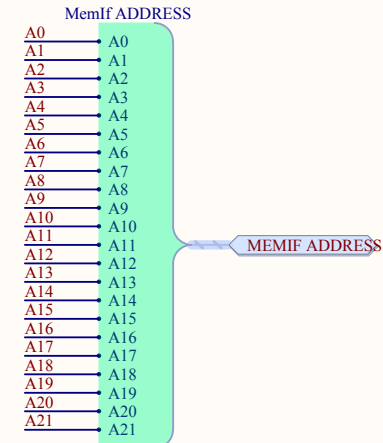
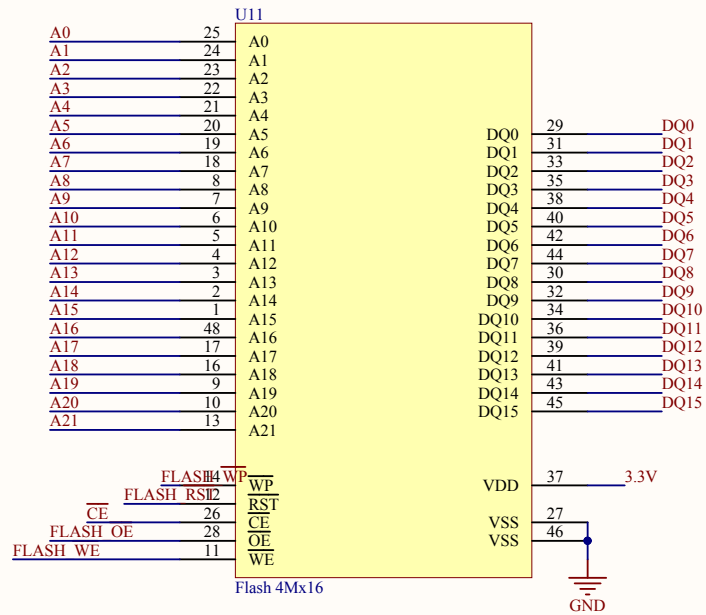
cc BY SA

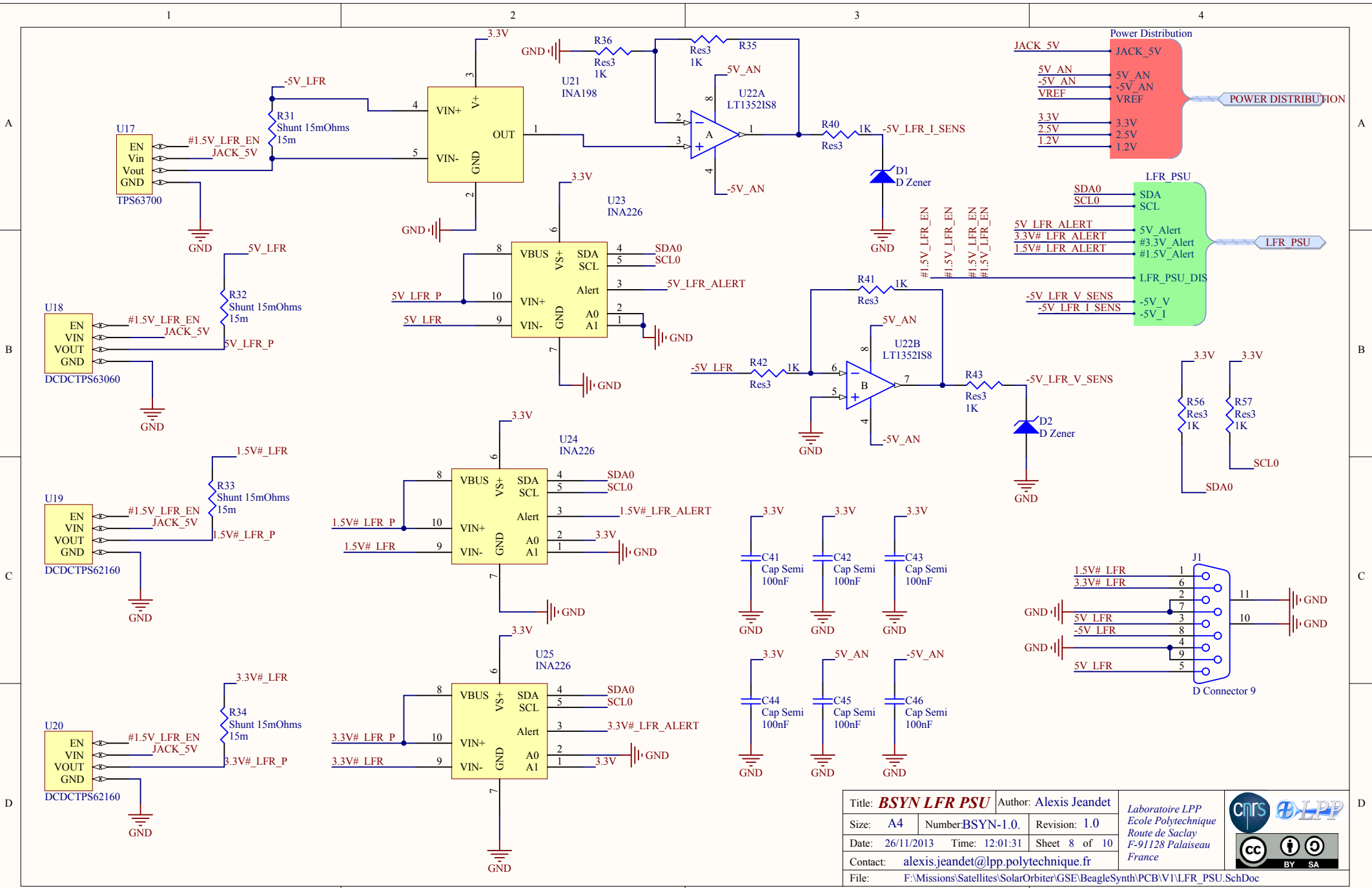




Title: BSYN SPW		Author: Alexis Jeandet		Laboratoire LPP Ecole Polytechnique Route de Saclay F-91128 Palaiseau France	
Size: A4	Number:BSYN-1.0.	Revision: 1.0			
Date: 26/11/2013	Time: 12:01:30	Sheet 6 of 10			
Contact: alexis.jeandet@lpp.polytechnique.fr					
File: F:\Missions\Satellites\SolarOrbiter\GSE\BeagleSynth\PCB\VI\SPW_IF.SchDoc					





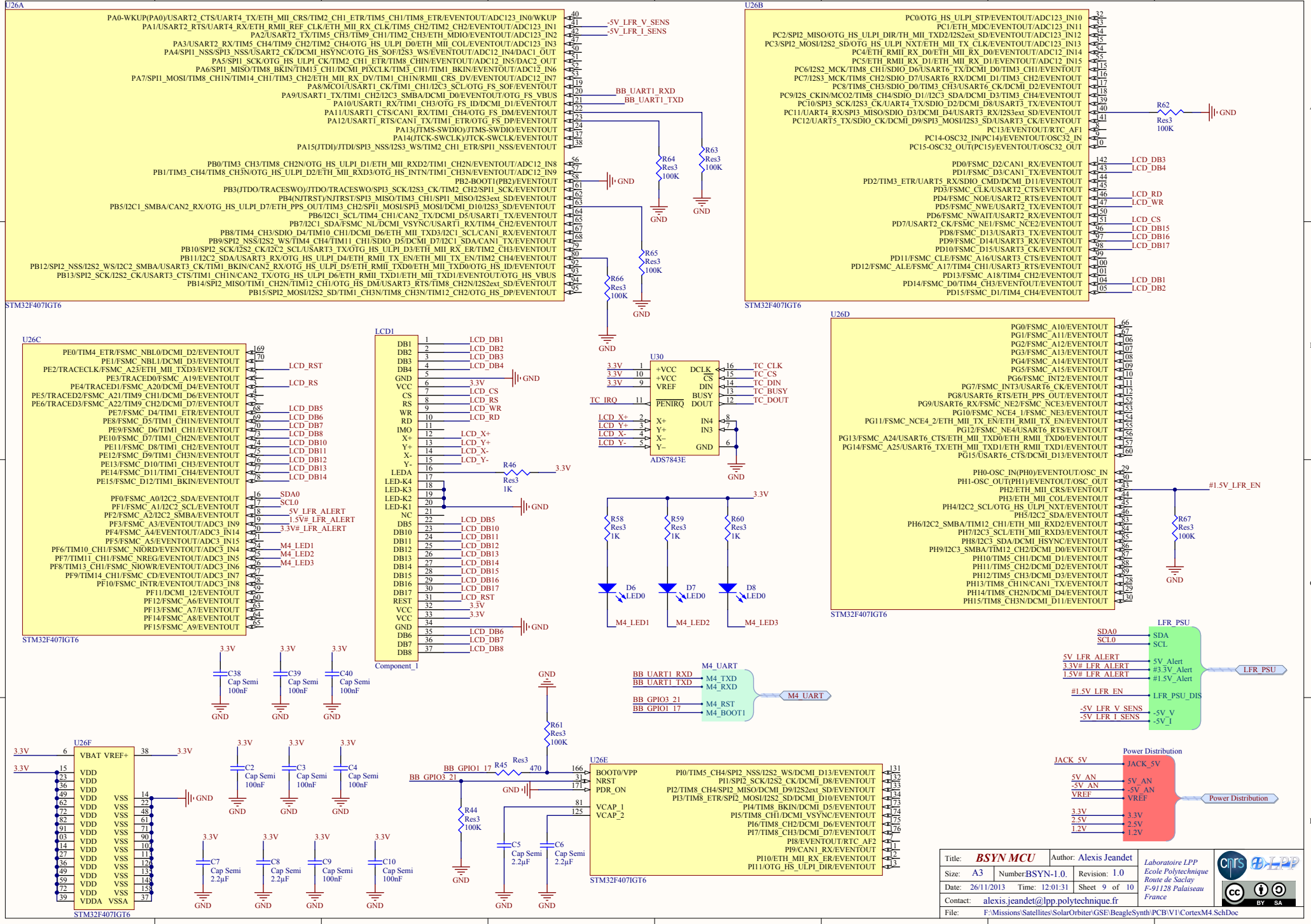




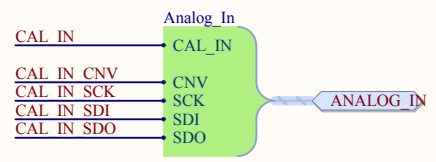
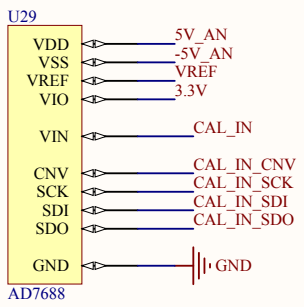
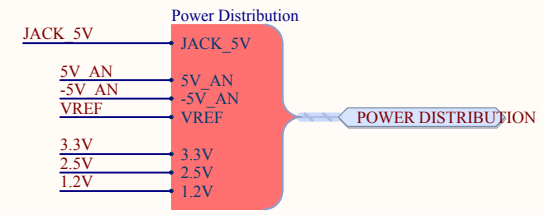
Title: BSYN LFR PSU		Author: Alexis Jeandet	
Size: A4	Number: BSYN-1.0.	Revision: 1.0	
Date: 26/11/2013	Time: 12:01:31	Sheet 8 of 10	
Contact: alexis.jeandet@lpp.polytechnique.fr			
File: F:\Missions\Satellites\SolarOrbiter\GSE\BeagleSynth\PCB\VI\LFR_PSU.SchDoc			

Laboratoire LPP
Ecole Polytechnique
Route de Saclay
F-91128 Palaiseau
France



Title:	BSYN MCU	Author:	Alexis Jeandet		
Size:	A3	Number:	BSYN-1.0		
Date:	26/11/2013	Time:	12:01:31		
Contact:	alexis.jeandet@lpp.polytechnique.fr		Revision:		1.0
File:	F:\Missions/Satellites/SolarOrbiter/GSE/BeagleSynth/PCB/V1/CortexM4.SchDoc		Sheet		9 of 10



Title: BSYN AN IN		Author: Alexis Jeandet		Laboratoire LPP Ecole Polytechnique Route de Saclay F-91128 Palaiseau France	
Size: A4	Number:BSYN-1.0.	Revision: 1.0			
Date: 26/11/2013	Time: 12:01:31	Sheet 10 of 10			
Contact: alexis.jeandet@lpp.polytechnique.fr					
File: F:\Missions\Satellites\SolarOrbiter\GSE\BeagleSynth\PCB\VI\AnalogIn.SchDoc					

