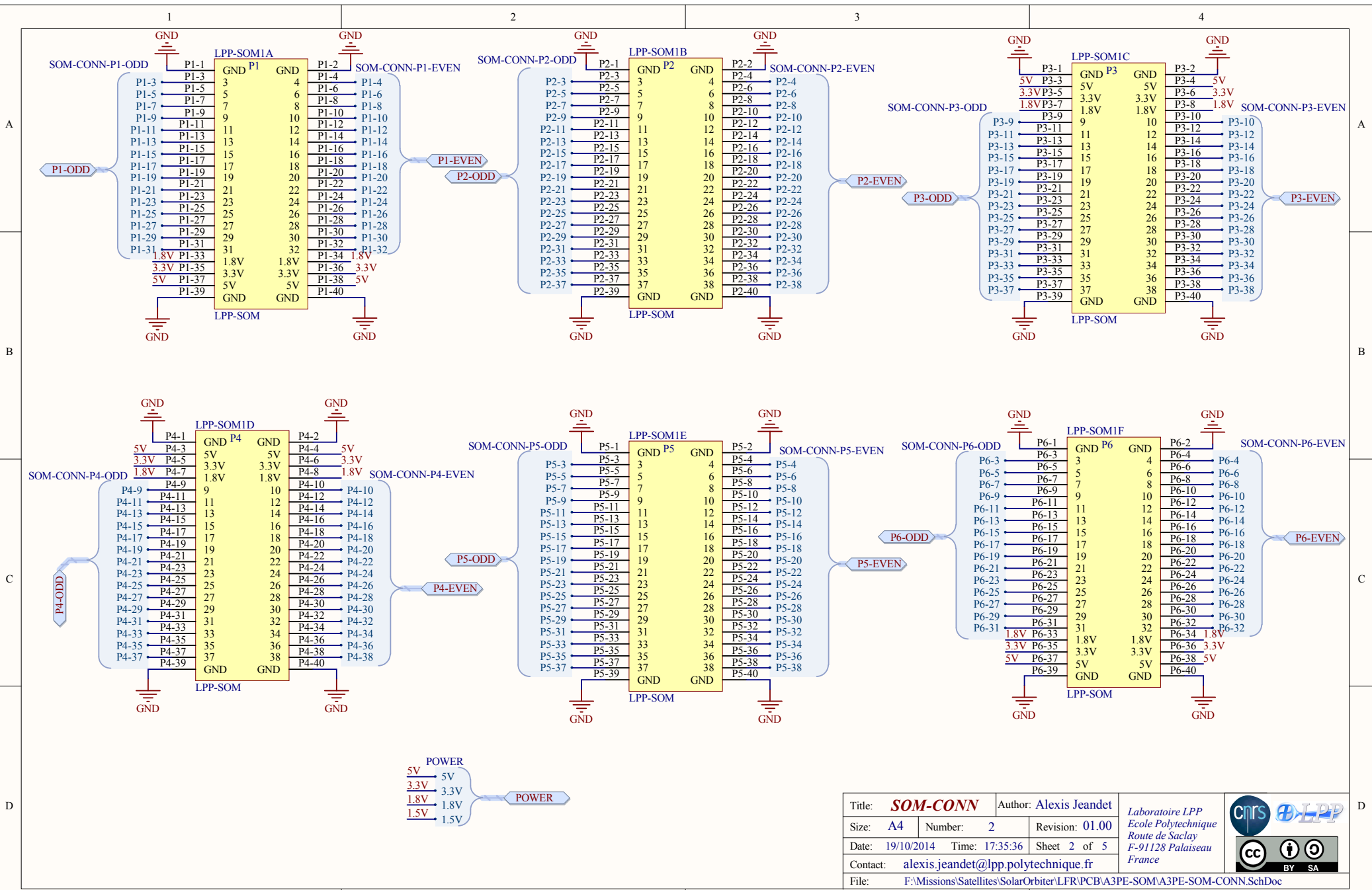


Title:	<b>Top</b>	Author:	Alexis Jeandet	
Size:	A4	Number:	1	
Date:	19/10/2014	Time:	17:35:36	
Contact:	alexis.jeandet@lpp.polytechnique.fr		Revision:	01.00
File:	F:\Missions\Satellites\SolarOrbiter\LFR\PCB\A3PE-SOM\A3PE-SOM.SchDoc		Sheet	1 of 5

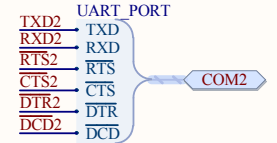
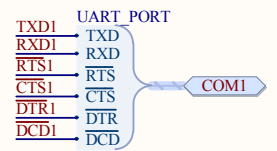
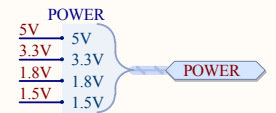
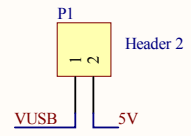
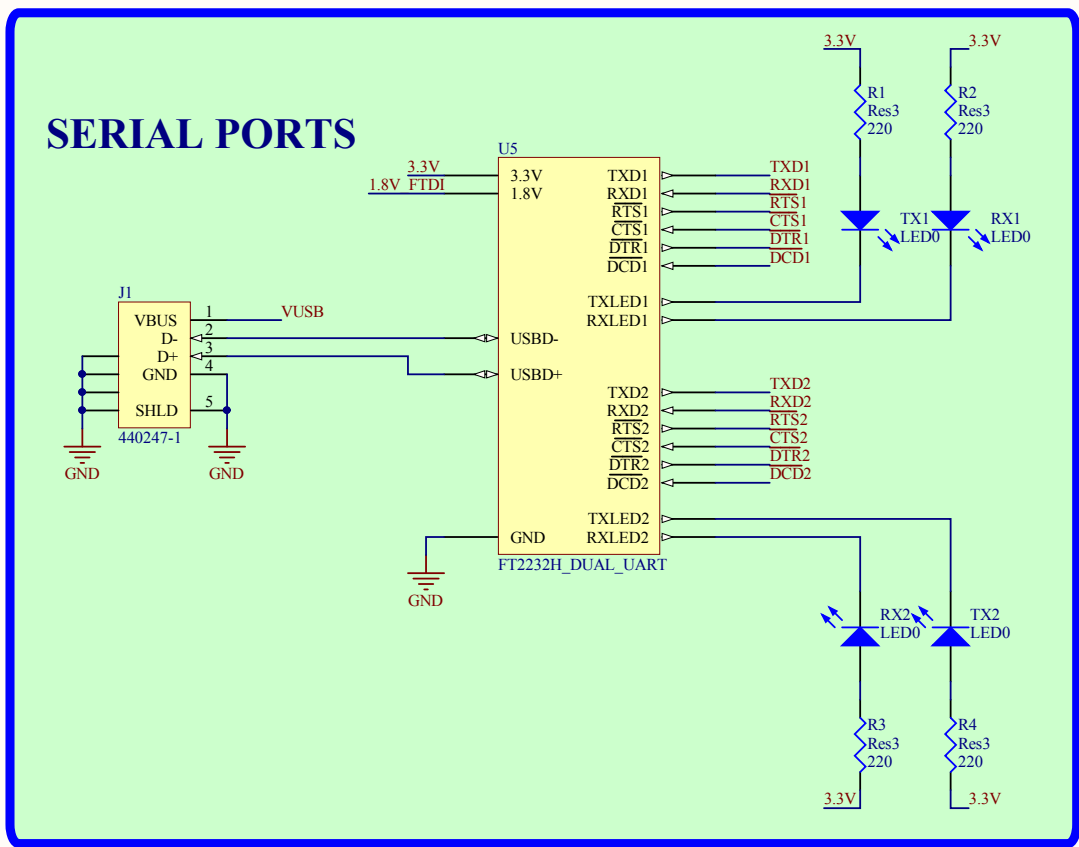
Laboratoire LPP  
Ecole Polytechnique  
Route de Saclay  
F-91128 Palaiseau  
France



Title: <b>SOM-CONN</b>		Author: Alexis Jeandet	
Size: A4	Number: 2	Revision: 01.00	
Date: 19/10/2014	Time: 17:35:36	Sheet 2 of 5	
Contact: alexis.jeandet@lpp.polytechnique.fr		Laboratoire LPP Ecole Polytechnique Route de Saclay F-91128 Palaiseau France	
File: F:\Missions\Satellites\SolarOrbiter\LFR\PCBA3PE-SOMA3PE-SOM-CONN.SchDoc		 	

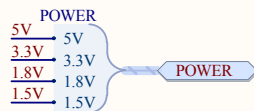
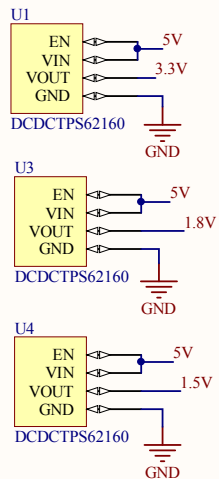





# SERIAL PORTS

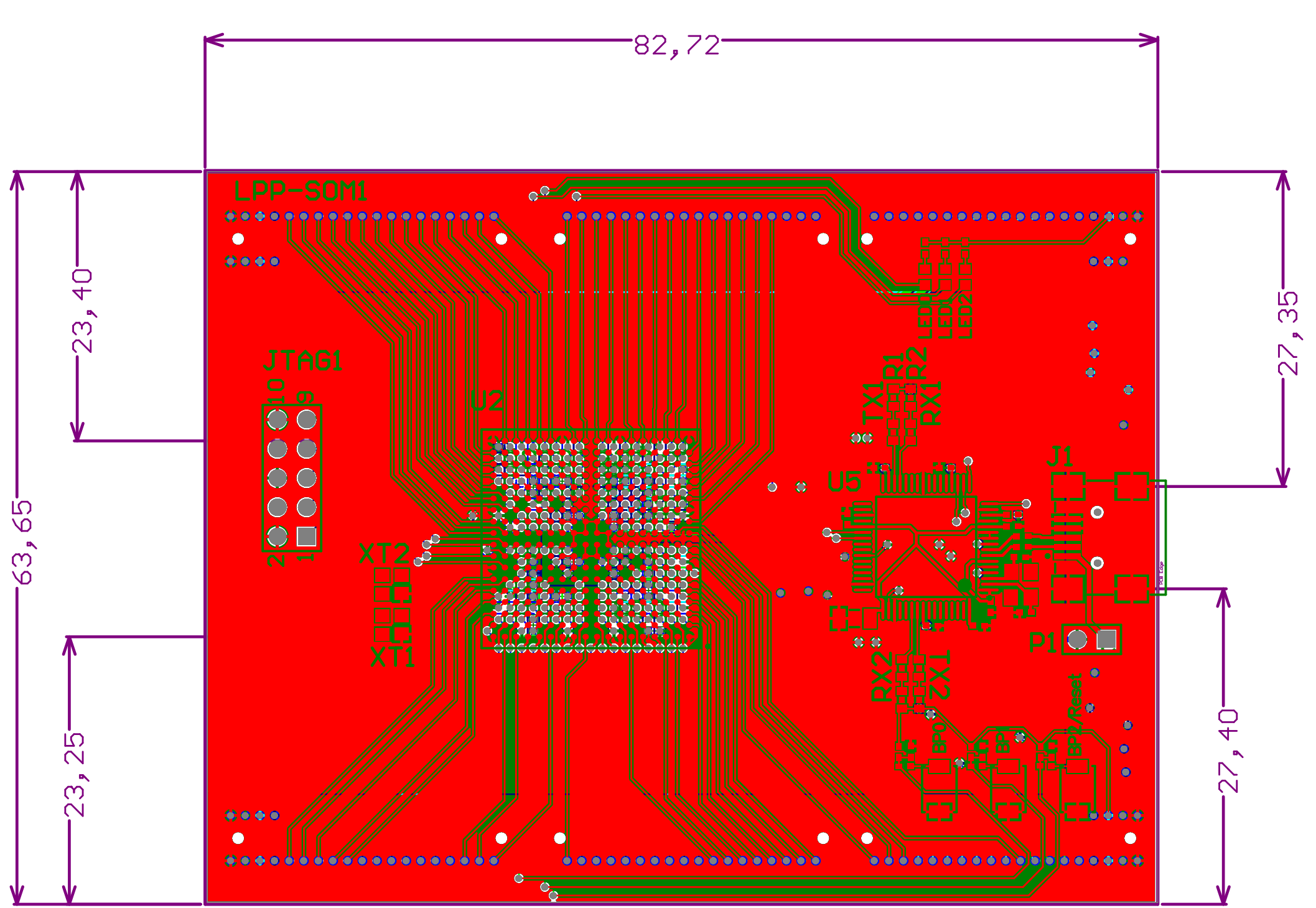


Title: <b>FTDI</b>		Author: Alexis Jeandet		Laboratoire LPP Ecole Polytechnique Route de Saclay F-91128 Palaiseau France	
Size: A4	Number: 4	Revision: 01.00			
Date: 19/10/2014	Time: 17:35:36	Sheet 4 of 5			
Contact: alexis.jeandet@lpp.polytechnique.fr					
File: F:\Missions\Satellites\SolarOrbiter\LFR\PCB\A3PE-SOM\A3PE-SOM-FTDI.SchDoc					





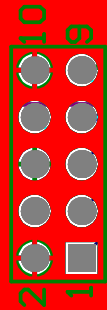
Title: <b>POWER</b>	Author: Alexis Jeandet		Laboratoire LPP Ecole Polytechnique Route de Saclay F-91128 Palaiseau France	 
Size: A4	Number: 5	Revision: 01.00		
Date: 19/10/2014	Time: 17:35:36	Sheet 5 of 5		
Contact: alexis.jeandet@lpp.polytechnique.fr	File: F:\Missions\Satellites\SolarOrbiter\LFR\PCB\A3PE-SOM\A3PE-SOM-POWER.SchDoc			



82,72

LPP-SOM1

JTAG1



U2

XT2  
XT1

LED1  
LED2

TX1  
RX1

U5

RX2  
TX2

U1

P1

BP0/Reset

27,40

27,35

63,65

23,40

23,25