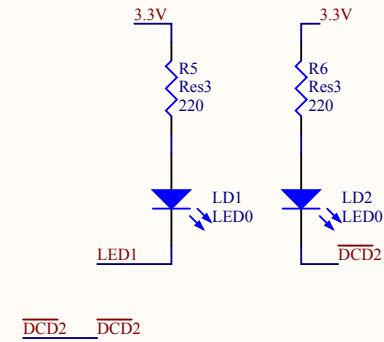
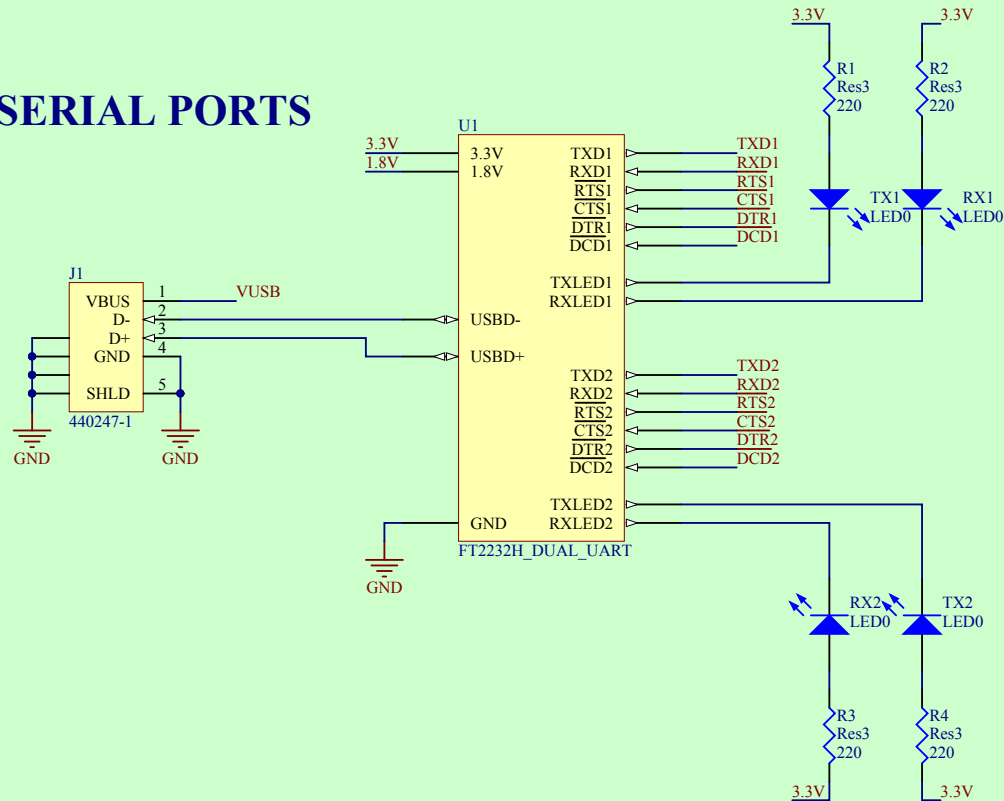
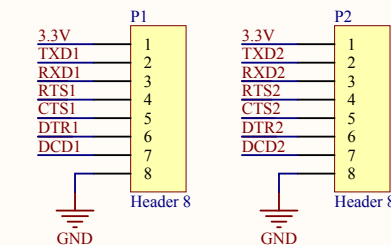
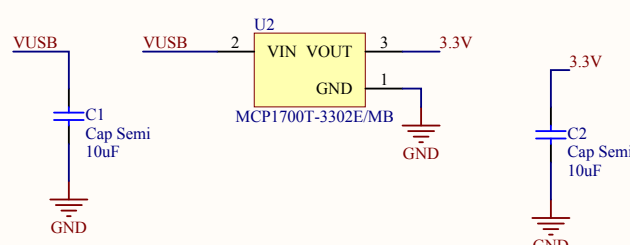
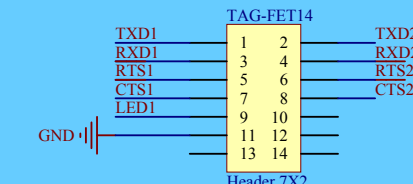


SERIAL PORTS

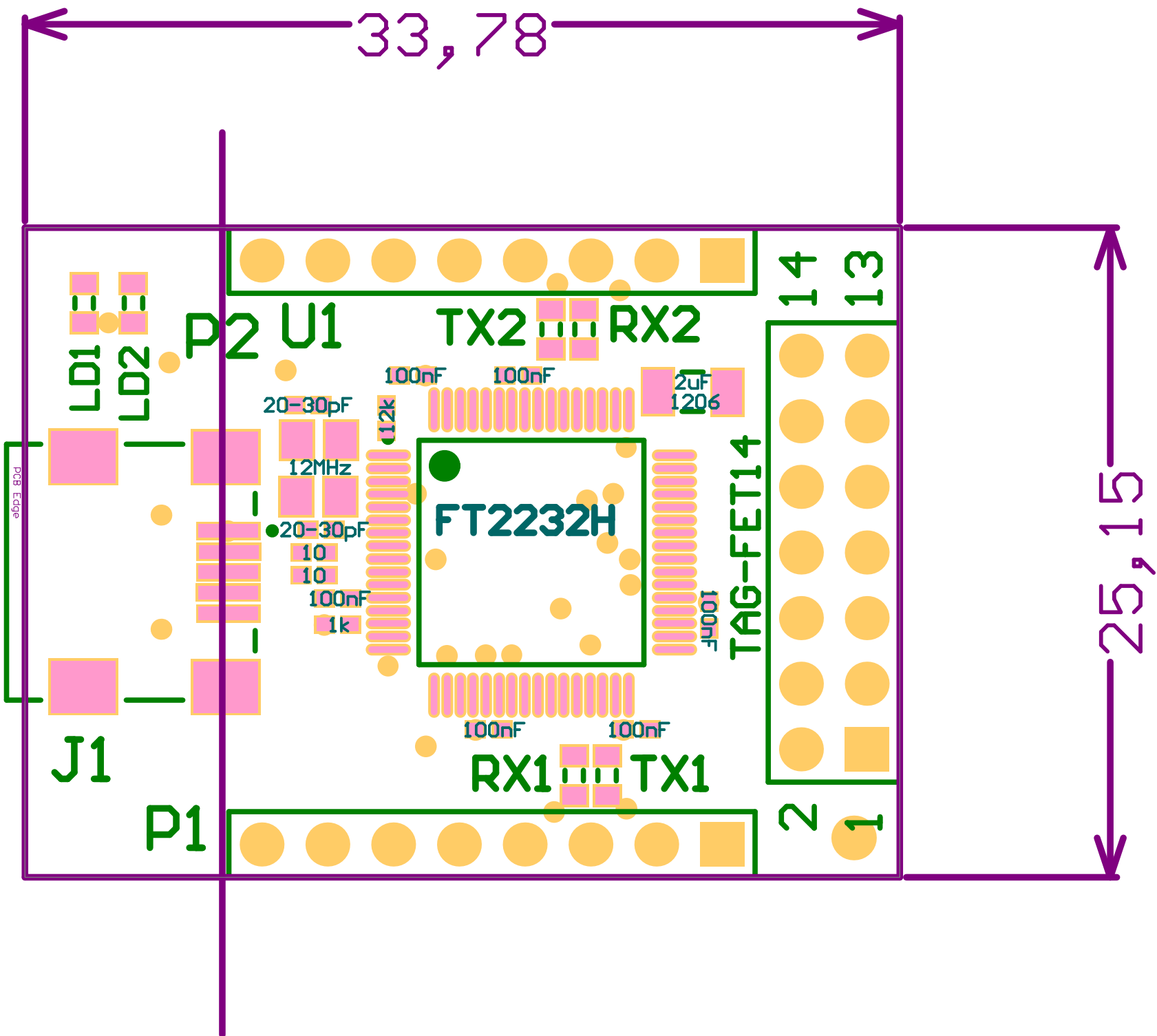


TAG-FET14



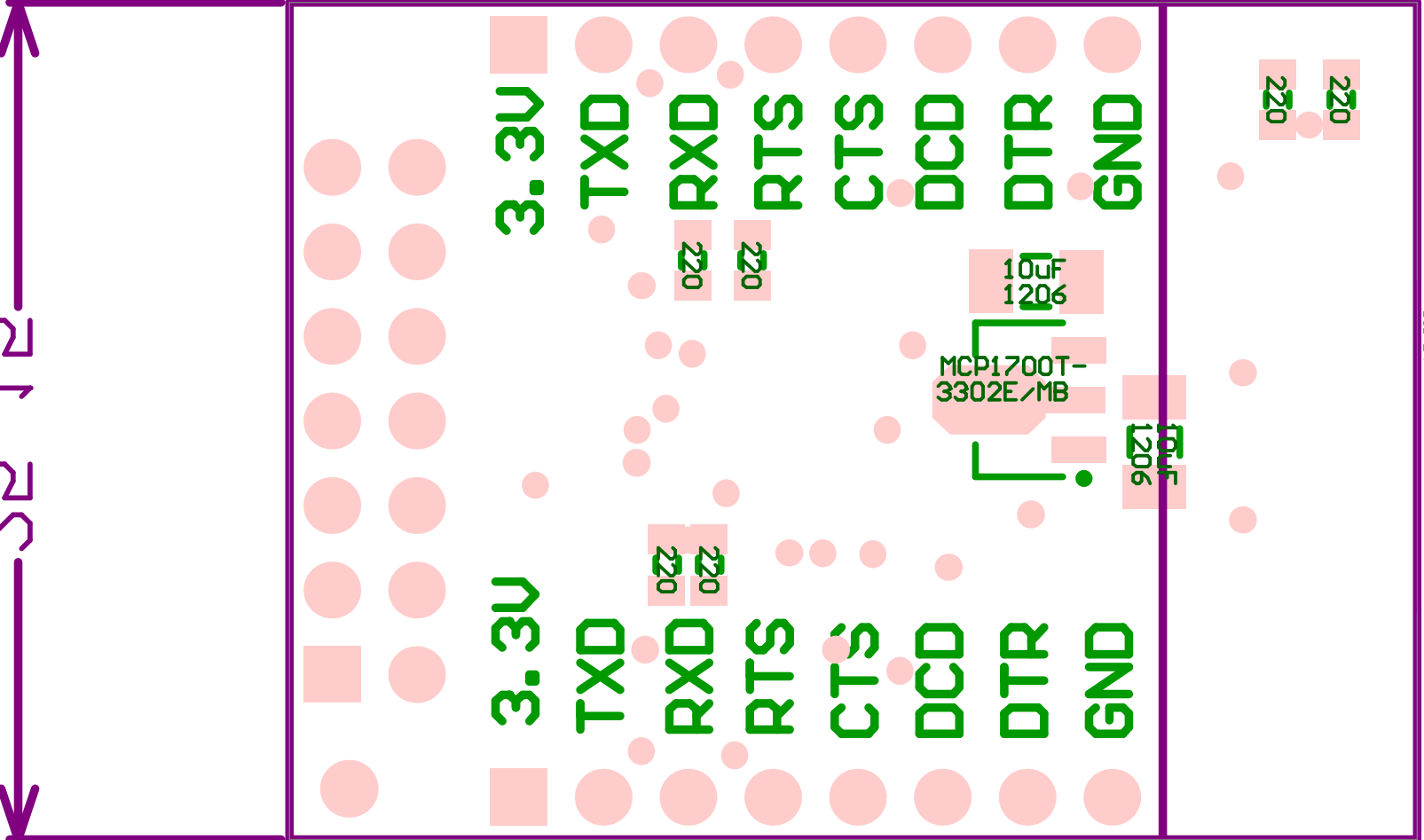
Title: USB2SERIAL		Author: Alexis Jeandet	
Size: A4	Number: USB2S-1.0.	Revision: 1.0	
Date: 08/06/2014	Time: 17:32:40	Sheet 1 of 1	
Contact: Contact			
File: F:\R&D\DEBUG_PROBES\TAG_CONNECT_Altium\TAG_CONNECT.SchDoc			





52,12

33,8



PCB Edge